


PRODUCT SHEET

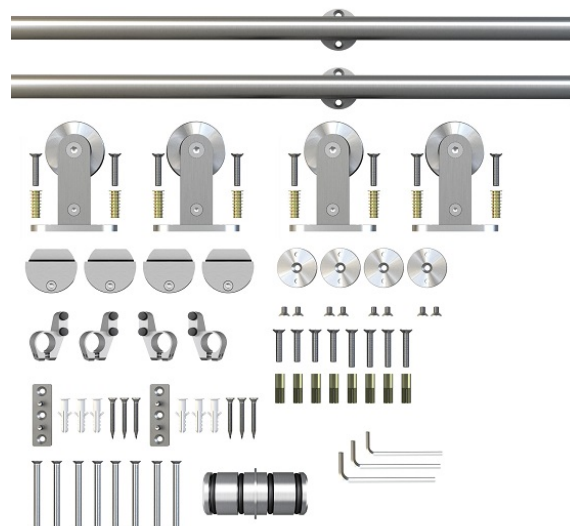
Description:

Sliding Door System "Apollo III", 3 Mtr, SS304, F/Double Wooden Doors

Item number:

28.29.452-0

| Units | Box | Carton | HS Code | Barcode |
|---------------|-----|--------|------------|--|
| Set | 1 | 1 | 8302415000 |  |
| 5704866482400 | | | | |



| ITEM NAME | PHOTO | MATERIAL + FINISH | QTY/SET | Notes |
|------------------------|---|-------------------|---------|---|
| clamp fixing for track |  | SS304+ satin | 4 | It's used to connect the rail with wall |
| clamp fixing for track |  | SS304 +satin | 4 | |
| door stoper |  | SS304+ satin | 4 | One left side and one right side |
| sliding rail |  | SS304 +satin | 3m | Dia25mm, thickness 2mm |
| end cap |  | SS304+ satin | 2 | pre-installed in the tubes |
| Sliding door roller |  | SS304+ satin | 4 | Including the furniture screw fixings. |
| Rail connector |  | SS304+ Brushed | 1 | For double byparting door |
| Floor guide |  | SS304+ satin | 2 | suitable for groove bottom door 20X7mm |

SISO A/S

Mileparken 11
DK-2740 Skovlunde
Denmark
VAT: DK 24786013

Phone +45 45 830 900

www.siso.dk
siso@siso.dk

Danske Bank
Nytorv Branch
Copenhagen
SWIFT: DABADKKK

Account no.
4180 3112 112936
IBAN Account
DK7230003112112936